

# Conveyor Structural System MB



AP  
TR  
MS2  
MM3  
ML2  
MX2  
MT2  
MR2  
MG  
MA  
DS2  
DM3  
DX2  
DT2  
DR2  
DG  
DF2  
DB  
DA  
SD  
SE  
TL  
IM  
MM

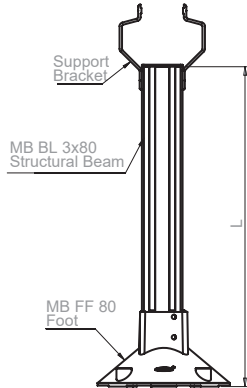
**MB**

Please consult MODU representative for further information and assistance.

Units: Dimension (mm)

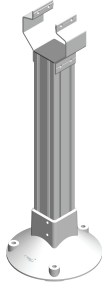
# Conveyor Support Design MB

## Structural Assembly - Type 1 (B1)

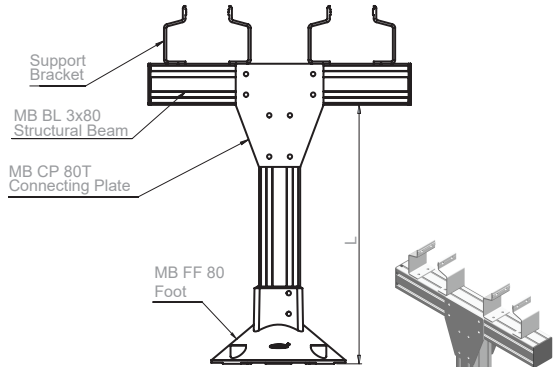


Length of beam, L = Conveyor height - 125  
 - Items are supplied individually.

Series	Support Bracket	Item Code
MS2	MS BS 80	MS B1
MM3	MM BS 80	MM B1
ML2	ML BS 80	ML B1

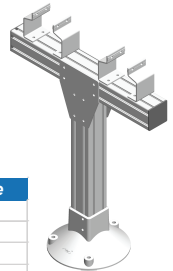


## Structural Assembly - Type 2 (B2)

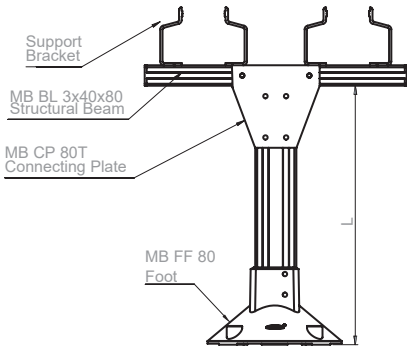


Length of beam, L = Conveyor height - 225  
 - Items are supplied individually.

Series	Support Bracket	Item Code
MS2	MA BS 100	MS B2
MM3	MA BS 100	MM B2
ML2	MA BS 100	ML B2
MX2	MA BS 100	MX B2
MT2	MA BS 100	MT2 B2
MR2	MA BS 100	MR2 B2
MF2	MA BS 100	MF2 B2

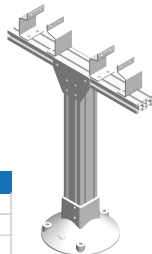


## Structural Assembly - Type 2A (B2A)

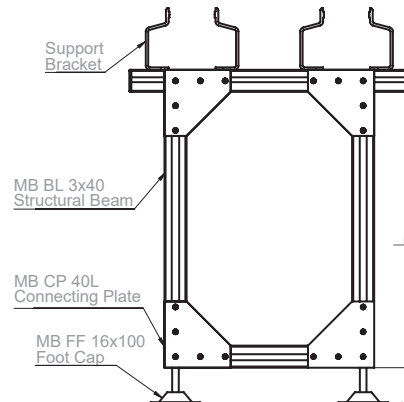


Length of beam, L = Conveyor height - 225  
 - Items are supplied individually.

Series	Support Bracket	Item Code
MS2	MA BS 100	MS B2A
MM3	MA BS 100	MM B2A
ML2	MA BS 100	ML B2A
MX2	MA BS 100	MX B2A

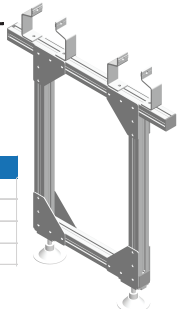


## Structural Assembly - Type 3 (B3)



Length of beam, L = Conveyor height - 250  
 - Items are supplied individually.

Series	Support Bracket	Item Code
MS2	MA BS 100A	MS B3
MM3	MA BS 100A	MM B3
ML2	MA BS 100A	ML B3
MX2	MA BS 100A	MX B3

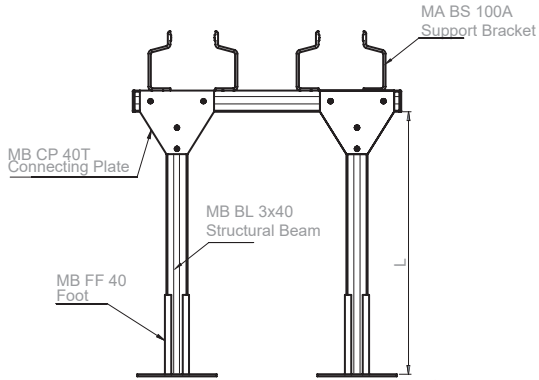


Please consult MODU representative for further information and assistance.

Units: Dimension (mm)

# Conveyor Support Design MB

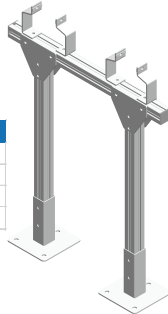
## Structural Assembly - Type 4 (B4)



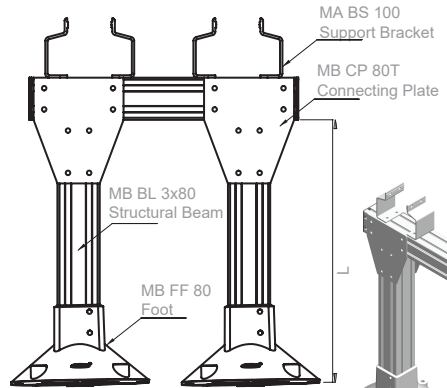
Length of beam, L = Conveyor height - 265

- Items are supplied individually.

Series	Support Bracket	Item Code
MS2	MA BS 100A	MS B4
MM3	MA BS 100A	MM B4
ML2	MA BS 100A	ML B4
MX2	MA BS 100A	MX B4



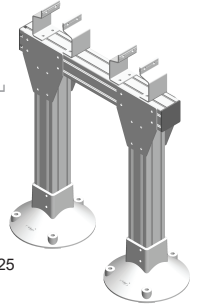
## Structural Assembly - Type 5 (B5)



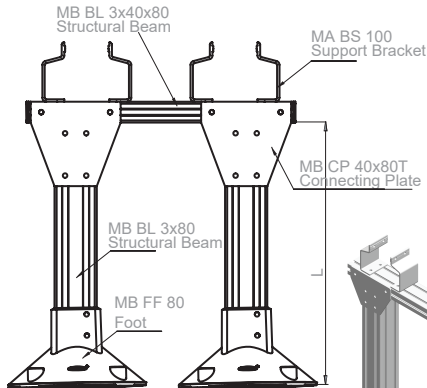
Length of beam, L = Conveyor height - 225

- Items are supplied individually.

Series	Support Bracket	Item Code
MS2	MA BS 100A	MS B5
MM3	MA BS 100A	MM B5
ML2	MA BS 100A	ML B5
MX2	MA BS 100A	MX B5
MT2	MA BS 100A	MT2 B5
MR2	MA BS 100A	MR2 B5
MF2	MA BS 100A	MF2 B5



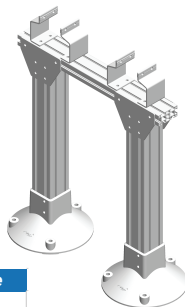
## Structural Assembly - Type 5A (B5A)



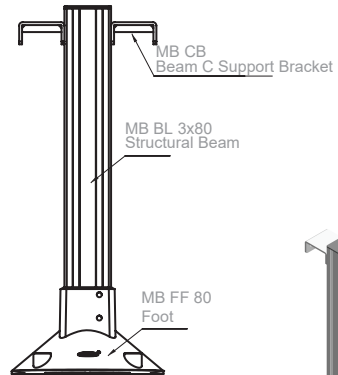
Length of beam, L = Conveyor height - 225

- Items are supplied individually.

Series	Support Bracket	Item Code
MS2	MA BS 100A	MS B5A
MM3	MA BS 100A	MM B5A
ML2	MA BS 100A	ML B5A
MX2	MA BS 100A	MX B5A

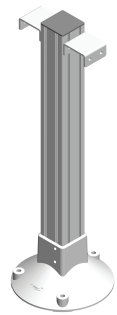


## Structural Assembly - Type 6 (B6)



- Items are supplied individually.

Series	Item Code
MS2	MSB6
MM3	MM B6
ML2	ML B6



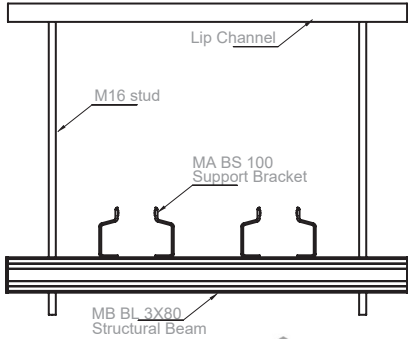
Please consult MODU representative for further information and assistance.

Units: Dimension (mm)

AP TR MS2 MM3 ML2 MX2 MT2 MR2 MG MB MA DS2 DM3 DL2 DX2 DT2 DR2 DG DB DA SD TL SE IM MM

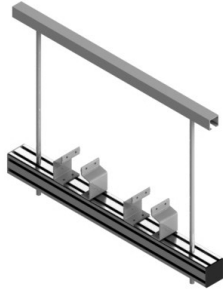
# Conveyor Support Design MB

## Structural Assembly - Type 7 (B7)

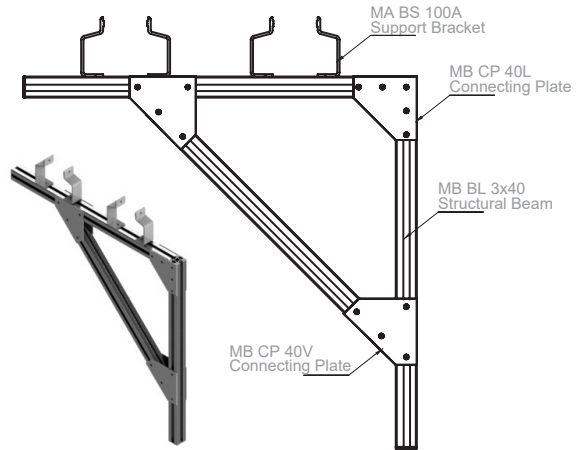


- Items are supplied individually.

Series	Item Code
MS2	MS B7
MM3	MM B7
ML2	ML B7
MX2	MX B7
MT2	MT2 B7
MR2	MR2 B7
MF2	MF2 B7



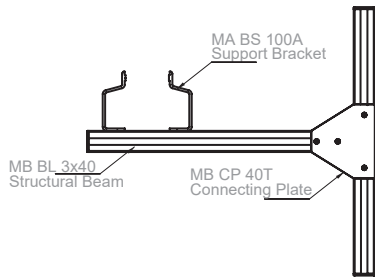
## Structural Assembly - Type 10 (B10)



- Items are supplied individually.

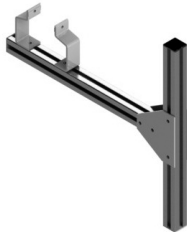
Series	Item Code
MS2	MS B10
MM3	MM B10
ML2	ML B10

## Structural Assembly - Type 11 (B11)

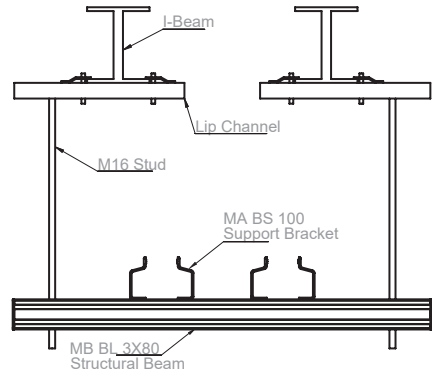


- Items are supplied individually.

Series	Item Code
MS2	MS B11
MM3	MM B11
ML2	ML B11
MX2	MX B11

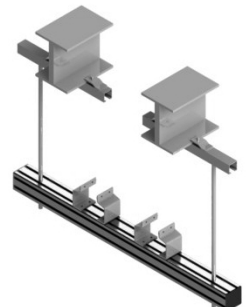


## Structural Assembly - Type 12 (B12)



- Items are supplied individually.

Series	Item Code
MS2	MS B12
MM3	MM B12
ML2	ML B12
MX2	MX B12
MT2	MT2 B12
MR2	MR2 B12
MF2	MF2 B12

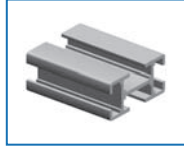
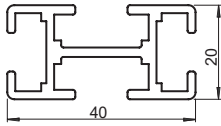


Please consult MODU representative for further information and assistance.

Units: Dimension (mm)

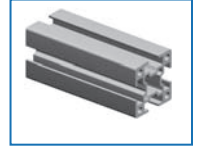
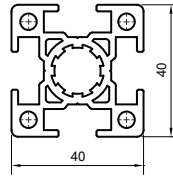
## Structural Beams MB

### Structural Beam 20x40mm



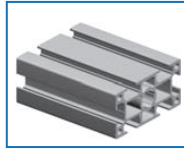
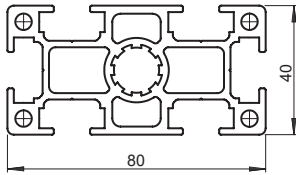
Item Code	Weight	Supply
MB BL 3x20x40	4.8 kg	3 m

### Structural Beam 40x40mm



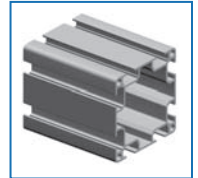
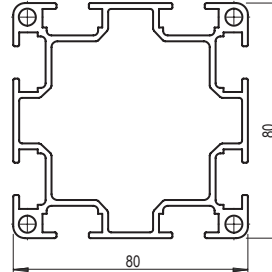
Item Code	Weight	Supply
MB BL 3x40x40	5.4 kg	3 m

### Structural Beam 40x80mm



Item Code	Weight	Supply
MB BL 3x40x80	8.7 kg	3 m

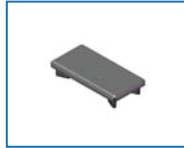
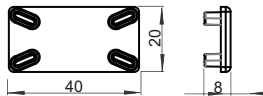
### Structural Beam 80x80mm



Item Code	Weight	Supply
MB BL 3x80x80	9.2 kg	3 m

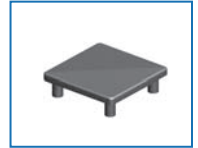
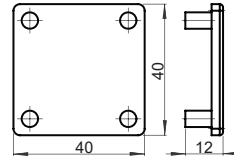
## Structural Beam End Caps MB

### End Cap 20x40mm



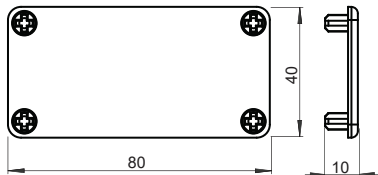
Item Code	Weight	Supply
MB EC 20x40	0.06 kg	10 pcs/pkt

### End Cap 40x40mm



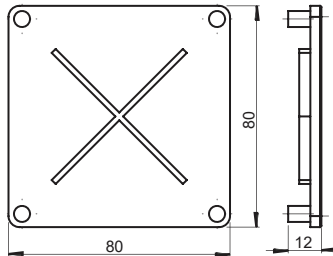
Item Code	Weight	Supply
MB EC 40x40	0.06 kg	10 pcs/pkt

### End Cap 40x80mm



Item Code	Weight	Supply
MB EC 40x80	0.02 kg	10 pcs/pkt

### End Cap 80x80mm



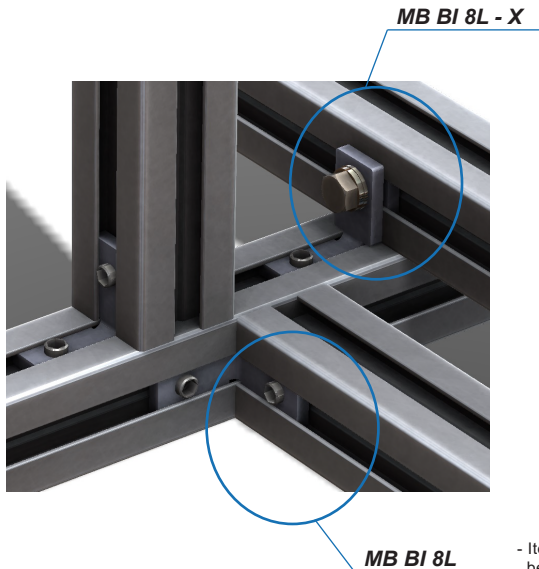
Item Code	Weight	Supply
MB EC 80x80	0.02 kg	10 pcs/pkt

Please consult MODU representative for further information and assistance.

Units: Dimension (mm)

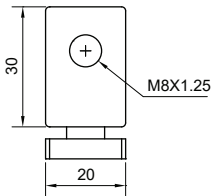
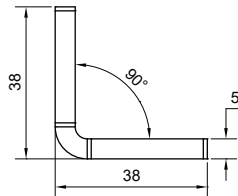
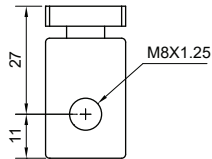
# Brackets & Accessories MB

## Application Assembly



- Items can be use with 80x80, 40x80, 40x40 and 20x40 beam.

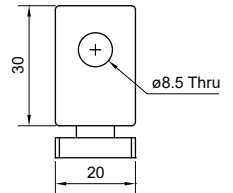
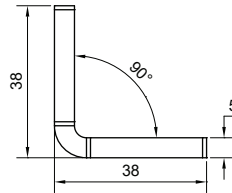
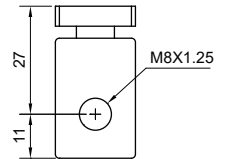
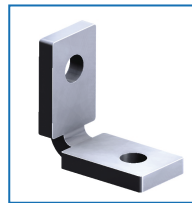
### Inner Bracket, 90°



- Material : Mild Steel, Zinc Plated.
- Set screw include

Item Code	Weight	Supply
MB BI 8L	0.3 kg	10 pcs/pkt

### Inner Bracket, 90° Cross



- Material : Mild Steel, Zinc Plated.
- Set screw include

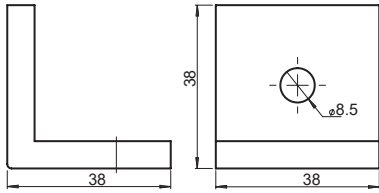
Item Code	Weight	Supply
MB BI 8L -X	0.3 kg	10 pcs/pkt

Please consult MODU representative for further information and assistance.

Units: Dimension (mm)

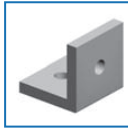
## Brackets & Accessories MB

### Cast Angle Bracket, 90°

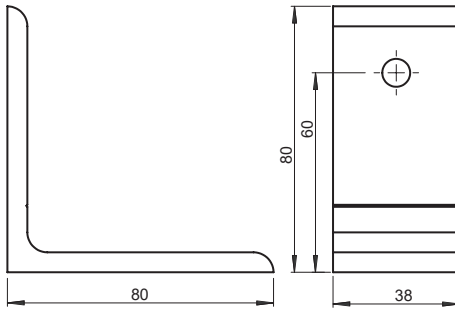


- Material : aluminum, used with 80x80mm beam

Item Code	Weight	Supply
MB BA 40L	0.05 kg	1 pc

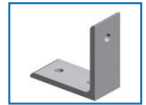


### Angle Bracket, 90°

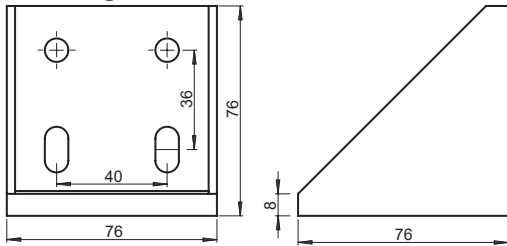


- Material : aluminum, used with 40x80mm beam

Item Code	Weight	Supply
MB BA 40x80L	0.08 kg	1 pc



### Cast Angle Bracket, 90°

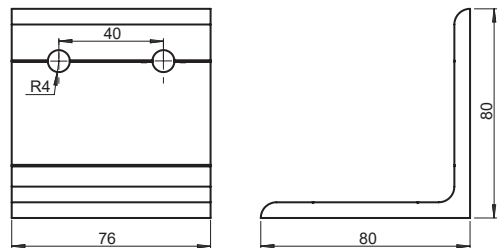


- Material : cast aluminum, used with 80x80mm beam

Item Code	Weight	Supply
MB BA 76L	0.3 kg	1 pc

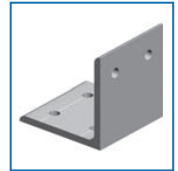


### Angle Bracket, 90°

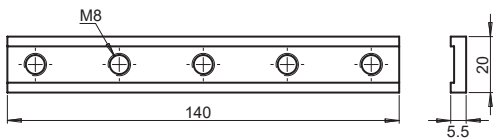


- Material : aluminum, used with 80x80mm beam

Item Code	Weight	Supply
MB CP 80L	0.7 kg	1 pc



### Connecting Strip



- Set screw included.

Item Code	Weight	Supply
MB CS 20x140	0.3 kg	10 pcs/pkt

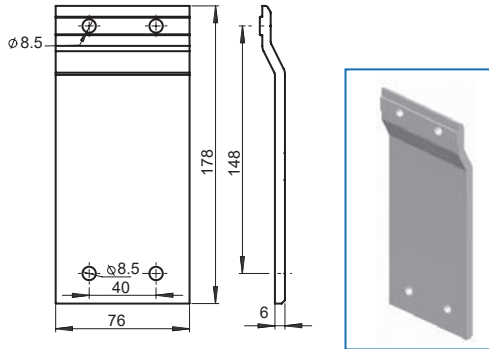


Please consult MODU representative for further information and assistance.

Units: Dimension (mm)

## Support Brackets MB

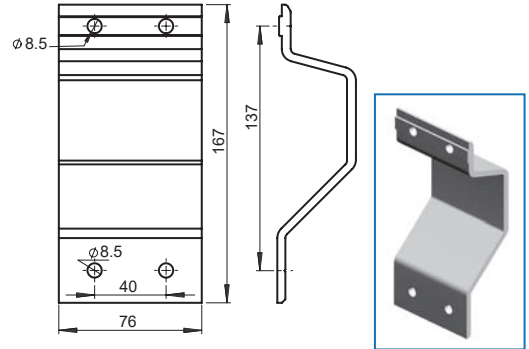
### MS Support Bracket



- Vertical support bracket

Item Code	Weight	Supply
MS BS 80	0.25 kg	1 pc

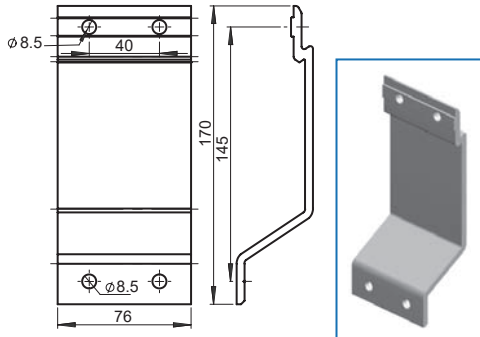
### MM Support bracket



- Vertical support bracket

Item Code	Weight	Supply
MM BS 80	0.18 kg	1 pc

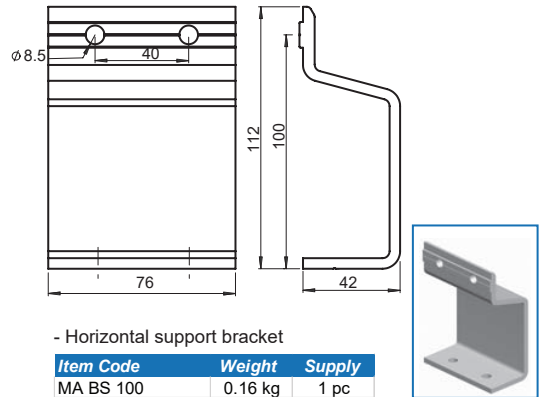
### ML Beam Support Bracket



- Vertical support bracket

Item Code	Weight	Supply
ML BS 80	0.18 kg	1 pc

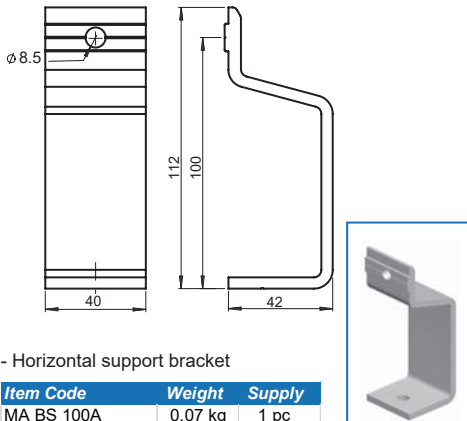
### Beam Support Bracket, 80mm



- Horizontal support bracket

Item Code	Weight	Supply
MA BS 100	0.16 kg	1 pc

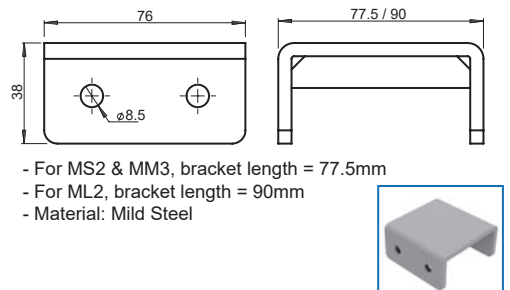
### Beam Support Bracket, 40mm



- Horizontal support bracket

Item Code	Weight	Supply
MA BS 100A	0.07 kg	1 pc

### Beam C Support Bracket



- For MS2 & MM3, bracket length = 77.5mm
- For ML2, bracket length = 90mm
- Material: Mild Steel

Item Code	Weight	Supply
MB CB 78	0.2 kg	1 pc
For MS2 & MM3		
MB CB 90	0.3 kg	3 m
For ML2 only		

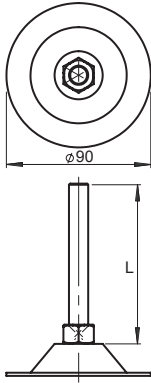
Please consult MODU representative for further information and assistance.

Units: Dimension (mm)



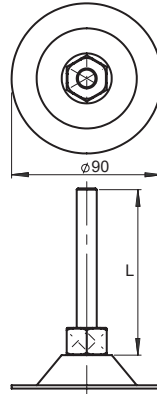
## Foot Caps MB

### Adjusting Foot Cap, M12



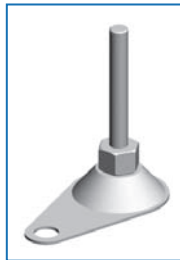
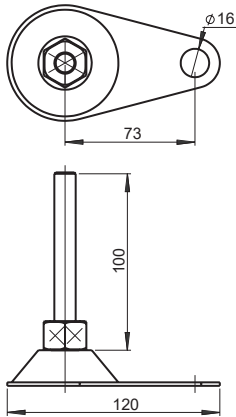
Item Code	Weight	Supply
MB FF 12x100 Mild Steel, Zinc Plated	0.15 kg	1 pc
MB FF 12x150 Mild Steel, Zinc Plated	0.18 kg	1 pc
MB FF 12x100S Stainless Steel	0.13 kg	1 pc
MB FF 12x150S Stainless Steel	0.16 kg	1 pc

### Adjusting Foot Cap, M16



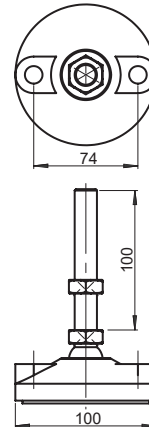
Item Code	Weight	Supply
MB FF 16x100 Mild Steel, Zinc Plated	0.3 kg	1 pc
MB FF 16x150 Mild Steel, Zinc Plated	0.4 kg	1 pc
MB FF 16x100S Stainless Steel	0.26 kg	1 pc
MB FF 16x150S Stainless Steel	0.3 kg	1 pc

### Adjusting Foot Cap, M16



Item Code	Weight	Supply
MB FH 16x100 Mild Steel, Zinc Plated	0.25 kg	1 pc
MB FH 16x100S Stainless Steel	0.25 kg	1 pc

### Adjusting Foot Cap, M16



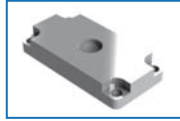
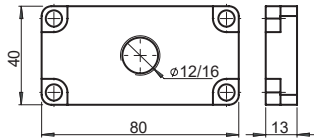
Item Code	Weight	Supply
MB FP 16x100 Plastic Base, Mild Steel, Zinc Plated Stud	0.4 kg	1 pc
MB FP 16x150 Plastic Base, Mild Steel, Zinc Plated Stud	0.4 kg	1 pc
MB FP 16x100S Plastic Base, Mild Steel, Zinc Plated Stud	0.4 kg	1 pc
MB FP 16x150S Plastic Base, Mild Steel, Zinc Plated Stud	0.4 kg	1 pc

Please consult MODU representative for further information and assistance.

Units: Dimension (mm)

## Support Bracket MB

### Support Bracket for 40x80 Beam

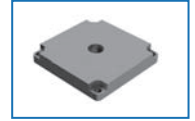
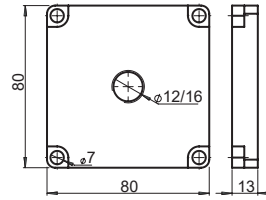


Material: Aluminum

- Used with adjusting foot cap
- $\phi 12$ mm for M12 foot thread adjusting foot cap
- $\phi 16$ mm for M16 foot thread adjusting foot cap

Item Code	Weight	Supply
MB FB 40x80x12	0.3 kg	1 pc
MB FB 40x80x16	0.3 kg	1 pc

### Support Bracket for 80x80 Beam



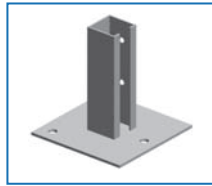
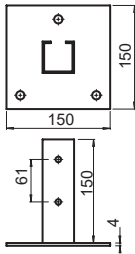
Material: Aluminium

- Used with adjusting foot cap
- $\phi 12$ mm for M12 foot thread adjusting foot cap
- $\phi 16$ mm for M16 foot thread adjusting foot cap

Item Code	Weight	Supply
MB FB 80x80x12	0.6 kg	1 pc
MB FB 80x80x16	0.6 kg	1 pc

## Support Foot MB

### Foot 40x40mm

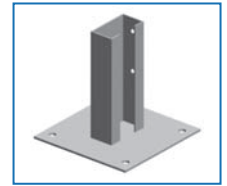
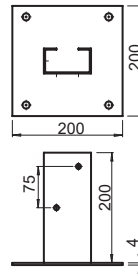


Height adjustment range:  $\pm 50$

Material: Mild Steel, Powder Coated

Item Code	Weight	Supply
MB FF 40	1.2 kg	1 pc

### Foot 40x80mm

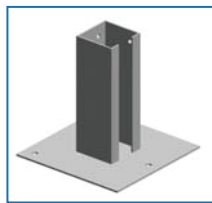
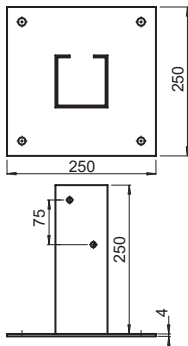


Height adjustment range:  $\pm 50$

Material: Mild Steel, Powder Coated

Item Code	Weight	Supply
MB FF 40x80	2.0 kg	1 pc

### Foot 80x80mm

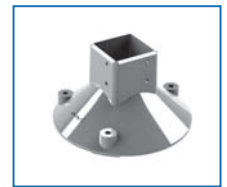
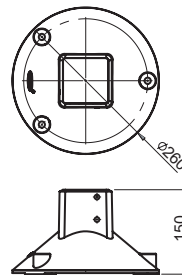


Height adjustment range:  $\pm 50$

Material: Mild Steel, Powder Coated

Item Code	Weight	Supply
MB FF 80	2.1 kg	1 pc

### Foot 80x80mm



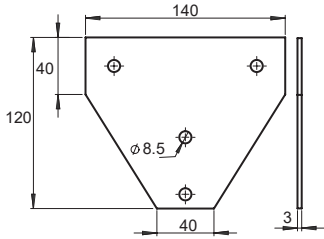
Height adjustment range:  $\pm 30$

Material: Cast Aluminium, Powder Coated

Item Code	Weight	Supply
MB FF 80A	2.0 kg	1 pc

## Connecting Plates MB

### Connecting Plate T

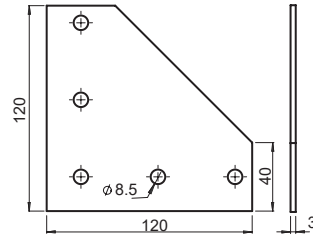


- Material : Mild Steel, Zinc Plated.
- T-joint for 40x40mm Structural Beam

Item Code	Weight	Supply
MB CP 40T	0.3 kg	1 pc

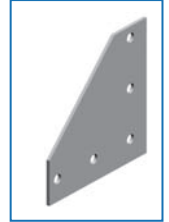


### Connecting Plate L

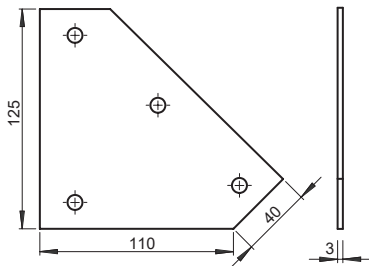


- Material : Mild Steel, Zinc Plated.
- L-joint for 40x40mm Structural Beam

Item Code	Weight	Supply
MB CP 40L	0.3 kg	1 pc

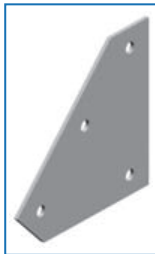


### Connecting Plate V

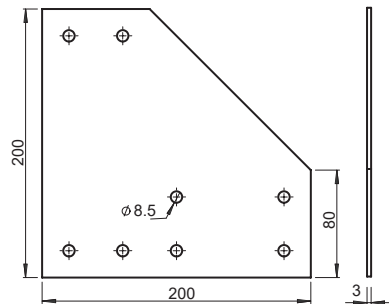


- Material : Mild Steel, Zinc Plated.
- V-joint for 40x40mm Structural Beam

Item Code	Weight	Supply
MB CP 40V	0.3 kg	1 pc

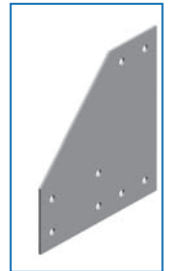


### Connecting Plate L



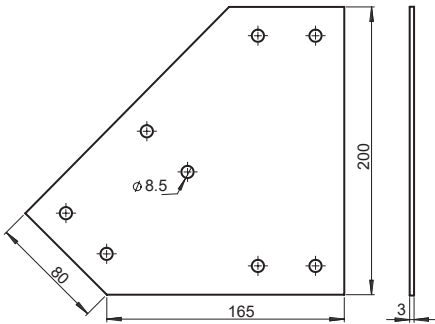
- Material : Mild Steel, Zinc Plated.
- L-joint for 80x80mm Structural Beam

Item Code	Weight	Supply
MB BA 80L	0.18 kg	1 pc



## Connecting Plates MB (Continued)

### Connecting Plate V

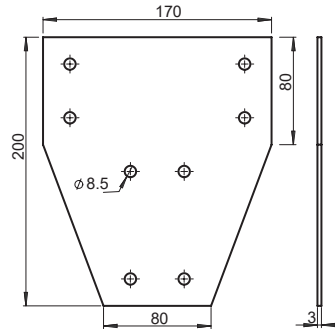


- Material : Mild Steel, Zinc Plated.
- V-joint for 80x80mm Structural Beam

Item Code	Weight	Supply
MB CP 80V	0.7 kg	1 pc

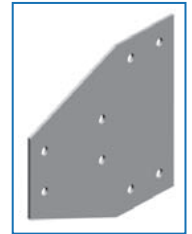


### Connecting Plate T

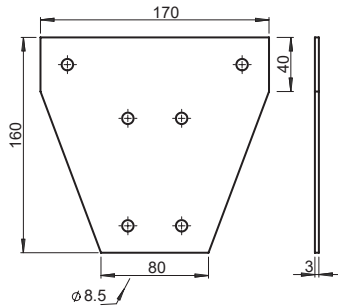


- Material : Mild Steel, Zinc Plated.
- T-joint for 80x80mm Structural Beam

Item Code	Weight	Supply
MB CP 80T	0.7 kg	1 pc



### Connecting Plate T



- Material : Mild Steel, Zinc Plated.
- T-joint for 40x80mm Structural Beam

Item Code	Weight	Supply
MB CP 40x80T	0.7 kg	1 pc

