

# Conveyor Guide MG



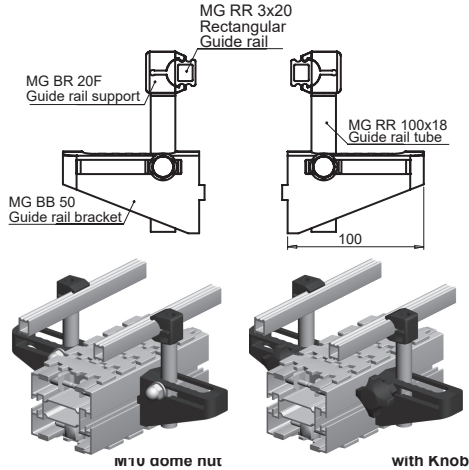
MM IM TL SE SD DA DB DG DF2 DR2 DT2 DX2 DL2 DM3 DS2 MA MB MG MF2 MR2 MT2 MX2 ML2 MM3 MS2 TR AP

Please consult MODU representative for further information and assistance.

Units: Dimension (mm)

## Guide Configuration MG

### Guide Assembly - Type 1 (G1 & G1K)



**Supply:**

- Items are supplied individually.

**Features:**

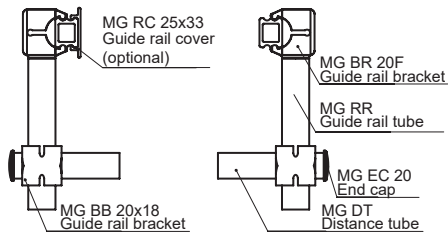
- Height & width adjustable by single dome nut or knob.  
 - Adjustment every 10mm on one side and other side continuous adjustment.

**Option:**

- PE Guide rail cover (MG RC 25x23 or MG RC 25x33)

Series	Width Adjustment		Item Code	Description
	Min	Max		
MS2	70	170	MS G1	M10 dome nut
	70	170	MS G1K	With knob
MM3	90	190	MM G1	M10 dome nut
	90	190	MM G1K	With knob
ML2	150	250	ML G1	M10 dome nut
	150	250	ML G1K	With knob
MX2	230	330	MX G1	M10 dome nut
	230	330	MX G1K	With knob
MT2	364	464	MT2 G1	M10 dome nut
	364	464	MT2 G1K	With knob
MR2	485	585	MR2 G1	M10 dome nut
	485	585	MR2 G1K	With knob
MF2	630	730	MF2 G1	M10 dome nut
	630	730	MF2 G1K	With knob

### Guide Assembly - Type 2 (G2)



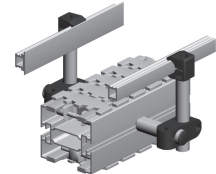
**Supply:**

- Items are supplied individually.

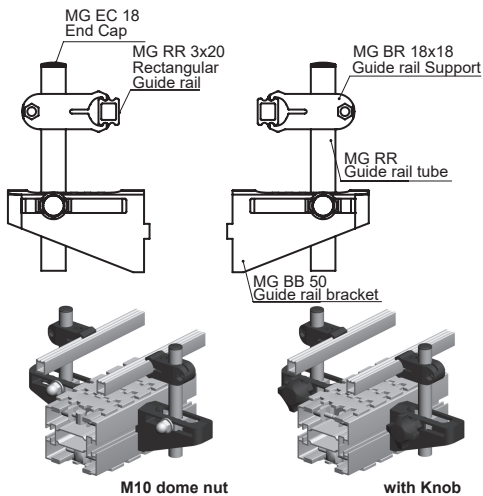
**Features:**

- Height and width adjustable  
 - Distance tube standard width:  
 - 100, 150 & 200mm  
 - Other size, please specify

Series	Item Code
MS2	MG G2
MM3	MM G2
ML2	ML G2
MX2	MX G2
MT2	MT2 G2
MR2	MR2 G2
MF2	MF2 G2



### Guide Assembly - Type 3 (G3 & G3K)



**Supply:**

- Items are supplied individually.

**Features:**

- Height & width adjustable by single dome nut or knob.  
 - Adjustment every 10mm on one side and other side continuous adjustment.

**Option:**

- PE Guide rail cover (MG RC 25x23 or MG RC 25x33)

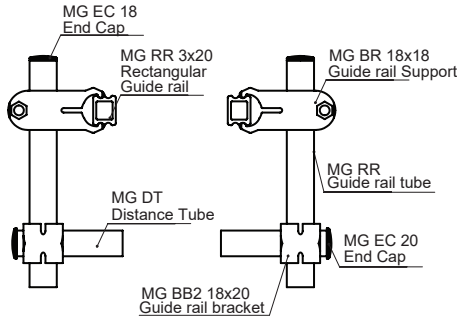
Series	Width Adjustment		Item Code	Description
	Min	Max		
MS2	25	125	MS G3	M10 dome nut
	25	125	MS G3K	With knob
MM3	45	145	MM G3	M10 dome nut
	45	145	MM G3K	With knob
ML2	100	200	ML G3	M10 dome nut
	100	200	ML G3K	With knob
MX2	185	285	MX G3	M10 dome nut
	185	285	MX G3K	With knob
MT2	319	419	MT2 G3	M10 dome nut
	319	419	MT2 G3K	With knob
MR2	440	540	MR2 G3	M10 dome nut
	440	540	MR2 G3K	With knob
MF2	585	685	MF2 G3	M10 dome nut
	585	685	MF2 G3K	With knob

Please consult MODU representative for further information and assistance.

Units: Dimension (mm)

## Guide Configuration MG (continued)

### Guide Assembly - Type 4 (G4)



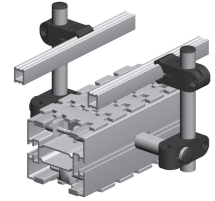
**Supply:**

- Items are supplied individually.

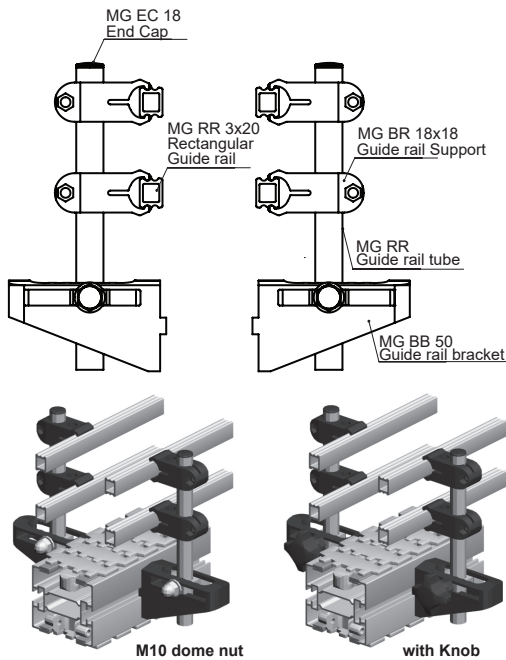
**Features:**

- Height and width adjustable
- Distance tube standard width:
  - 100, 150 & 200mm
  - Other size, please specify

Series	Item Code
MS2	MS G4
MM3	MM G4
ML2	ML G4
MX2	MX G4
MT2	MT2 G4
MR2	MR2 G4
MF2	MF2 G4



### Guide Assembly - Type 5 (G5 & G5K)



**Supply:**

- Items are supplied individually.

**Features:**

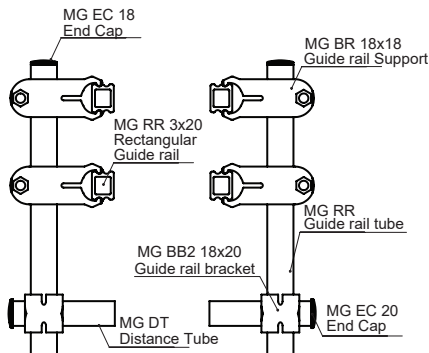
- Height & width adjustable by single dome nut or knob.
- Adjustment every 10mm on one side and other side continuous adjustment.

**Option:**

- PE Guide rail cover (MG RC 25x23 or MG RC 25x33)

Series	Width Adjustment		Item Code	Description
	Min	Max		
MS2	25	125	MS G5	M10 dome nut
	25	125	MS G5K	With knob
MM3	45	145	MM G5	M10 dome nut
	45	145	MM G5K	With knob
ML2	100	200	ML G5	M10 dome nut
	100	200	ML G5K	With knob
MX2	185	285	MX G5	M10 dome nut
	185	285	MX G5K	With knob
MT2	319	419	MT2 G5	M10 dome nut
	319	419	MT2 G5K	With knob
MR2	440	540	MR2 G5	M10 dome nut
	440	540	MR2 G5K	With knob
MF2	585	685	MF2 G5	M10 dome nut
	585	685	MF2 G5K	With knob

### Guide Assembly - Type 6 (G6)



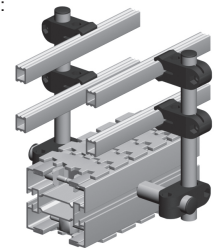
**Supply:**

- Items are supplied individually.

**Features:**

- Height and width adjustable
- Distance tube standard width:
  - 100, 150 & 200mm
  - Other size, please specify

Series	Item Code
MS2	MS G6
MM3	MM G6
ML2	ML G6
MX2	MX G6
MT2	MT2 G6
MR2	MR2 G6
MF2	MF2 G6

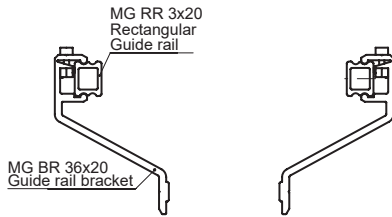


Please consult MODU representative for further information and assistance.

Units: Dimension (mm)

## Guide Configuration MG (continued)

### Guide Assembly - Type 7 (G7)



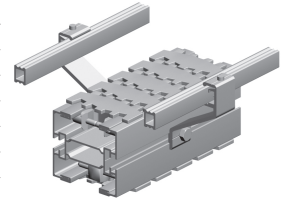
**Supply:**

- Items are supplied individually.

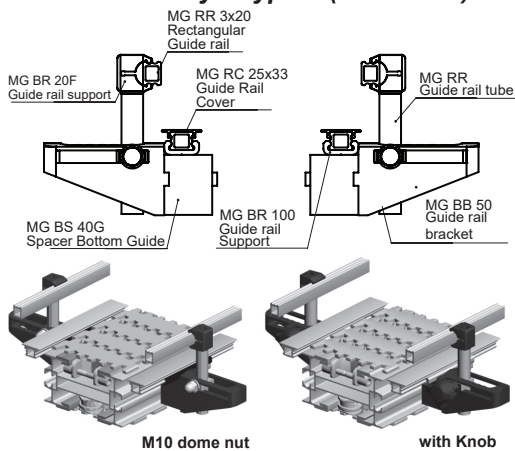
**Option:**

- PE Guide rail cover (MG RC 25x23 or MG RC 25x33)

Series	Width Maximum	Item Code
MS2	137.5	MS G7
MM3	157.5	MM G7
ML2	216.5	ML G7
MX2	296.5	MX G7
MT2	431.5	MT2 G7
MR2	552.5	MR2 G7
MF2	697.5	MF2 G7



### Guide Assembly - Type 8 (G8 & G8K)



**Supply:**

- Items are supplied individually.

**Features:**

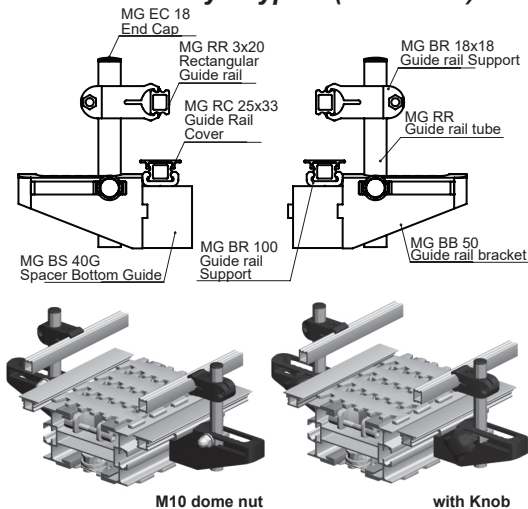
- Height & width adjustable by single dome nut or knob.  
- Adjustment every 10mm on one side and other side continuous adjustment.

**Option:**

- PE Guide rail cover (MG RC 25x23 or MG RC 25x33)

Series	Width Adjustment		Item Code	Description
	Min	Max		
ML2	230	330	ML G8	M10 dome nut
	230	330	ML G8K	With knob
MX2	310	410	MX G8	M10 dome nut
	310	410	MX G8K	With knob
MT2	364	464	MT2 G8	M10 dome nut
	364	464	MT2 G8K	With knob
MR2	485	585	MR2 G8	M10 dome nut
	485	585	MR2 G8K	With knob
MF2	630	730	MF2 G8	M10 dome nut
	630	730	MF2 G8K	With knob

### Guide Assembly - Type 9 (G9 & G9K)



**Supply:**

- Items are supplied individually.

**Features:**

- Height & width adjustable by single dome nut or knob.  
- Adjustment every 10mm on one side and other side continuous adjustment.

**Option:**

- PE Guide rail cover (MG RC 25x23 or MG RC 25x33)

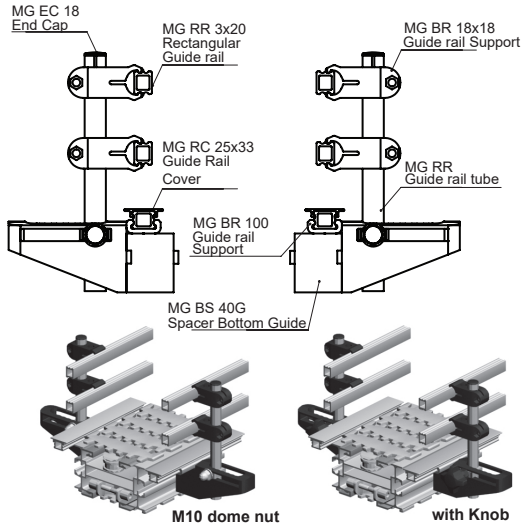
Series	Width Adjustment		Item Code	Description
	Min	Max		
ML2	175	275	ML G9	M10 dome nut
	175	275	ML G9K	With knob
MX2	255	355	MX G9	M10 dome nut
	255	355	MX G9K	With knob
MT2	359	459	MT2 G9	M10 dome nut
	359	459	MT2 G9K	With knob
MR2	510	610	MR2 G9	M10 dome nut
	510	610	MR2 G9K	With knob
MF2	655	755	MF2 G9	M10 dome nut
	655	755	MF2 G9K	With knob

Please consult MODU representative for further information and assistance.

Units: Dimension (mm)

## Guide Configuration MG (continued)

### Guide Assembly - Type 10 (G10 & G10K)



**Supply:**

- Items are supplied individually.

**Features:**

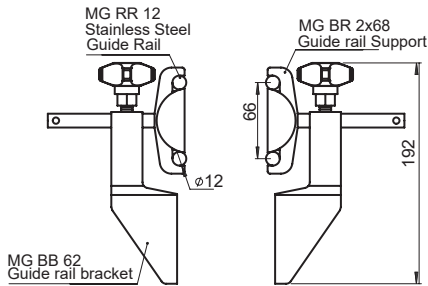
- Height & width adjustable by single dome nut or knob.  
 - Adjustment every 10mm on one side and other side continuous adjustment.

**Option:**

- PE Guide rail cover (MG RC 25x23 or MG RC 25x33)

Series	Width Adjustment		Item Code	Description
	Min	Max		
ML2	175	275	ML G10	M10 dome nut
	175	275	ML G10K	With knob
MX2	255	355	MX G10	M10 dome nut
	255	355	MX G10K	With knob
MT2	389	489	MT2 G10	M10 dome nut
	389	489	MT2 G10K	With knob
MR2	510	610	MR2 G10	M10 dome nut
	510	610	MR2 G10K	With knob
MF2	655	755	MF2 G10	M10 dome nut
	655	755	MF2 G10K	With knob

### Guide Assembly - Type 11 (G11)

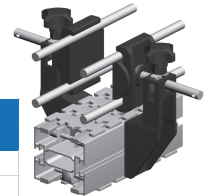


**Supply:**

- Items are supplied individually.

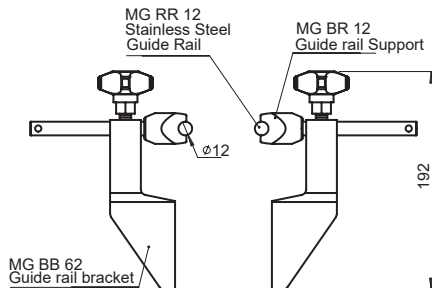
**Features:**

- Width adjustable by single knob



Series	Width Maximum	Item Code
MS2	55	MS G11
MM3	75	MM G11
ML2	135	ML G11
MX2	215	MX G11
MT2	349	MT2 G11
MR2	470	MR2 G11
MF2	615	MF2 G11

### Guide Assembly - Type 12 (G12)

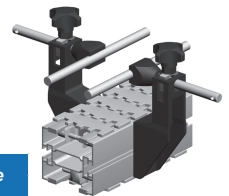


**Supply:**

- Items are supplied individually.

**Features:**

- Width adjustable by single knob



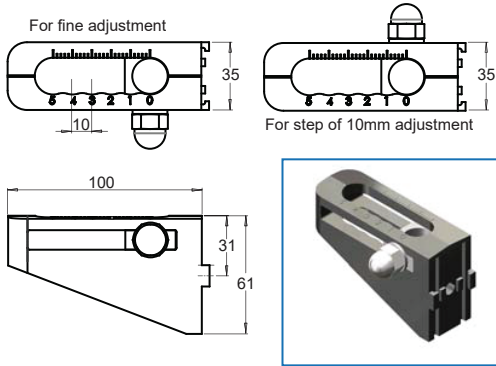
Series	Width Maximum	Item Code
MS2	60	MS G12
MM3	80	MM G12
ML2	140	ML G12
MX2	220	MX G12
MT2	354	MT2 G12
MR2	475	MR2 G12
MF2	620	MF2 G12

Please consult MODU representative for further information and assistance.

Units: Dimension (mm)

## Guide Rail Brackets MG

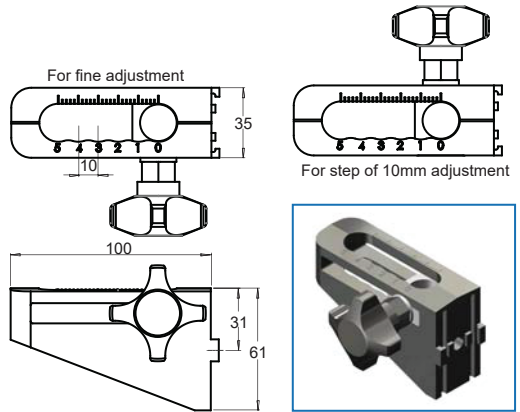
### Guide Rail Bracket



- M10 dome nut and eye bolt included

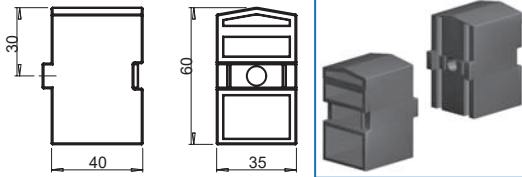
Item Code	Weight	Supply
MG BB 50N	0.13 kg	1 set

### Guide Rail Bracket



Item Code	Weight	Supply
MG BB 50K	0.16 kg	1 set

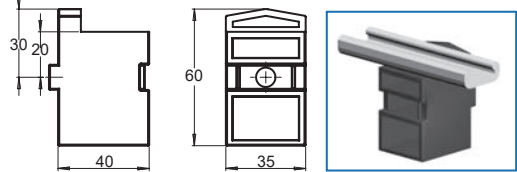
### Spacer



- To be used with MG BB 50 & MG BB 50K

Item Code	Weight	Supply
MG BS 40	0.04 kg	1 pc

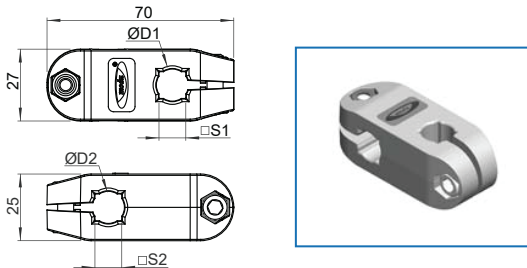
### Spacer with bottom guide



- MG BR 100, guide rail support not included  
- To be used with MG BB 50 & MG BB 50K

Item Code	Weight	Supply
MG BS 40G	0.06 kg	1 pc

### Guide Rail Bracket



- Screws included

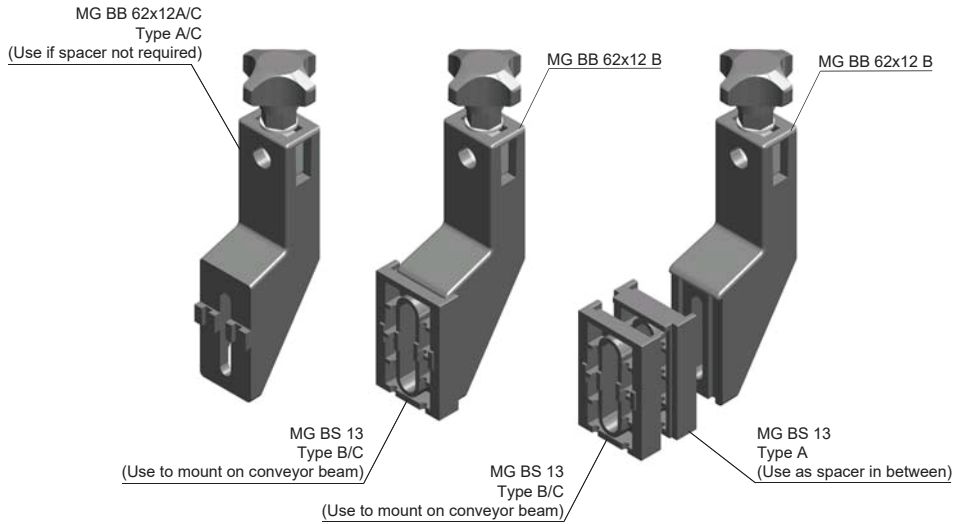
Item Code	D1 (mm)	S1 (mm)	D2 (mm)	S2 (mm)	Weight	Supply
MG BB2 12x12	12	10	12	10	0.06 kg	10 pcs/pkt
MG BB2 18x18	18	15	18	15	0.06 kg	10 pcs/pkt
MG BB2 18x20	18	15	20	16	0.05 kg	10 pcs/pkt
MG BB2 20x20	20	16	20	16	0.05 kg	10 pcs/pkt

Please consult MODU representative for further information and assistance.

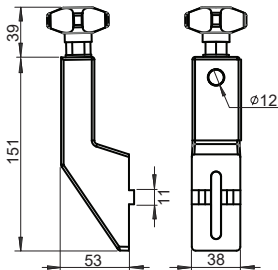
Units: Dimension (mm)

## Guide Rail Bracket MG (continued)

### Guide Rail Bracket



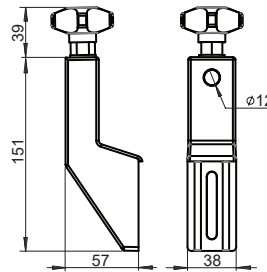
### Guide Rail Bracket Type A/C



- Type A for MM3, ML2, MX2, MO & MT
- Type C for MS2

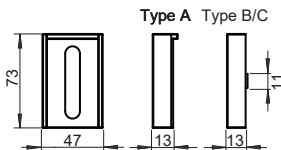
Item Code	Weight	Supply
MG BB 62x12 A/C	0.25 kg	1 pc

### Guide Rail Bracket Type B



Item Code	Weight	Supply
MG BB 62x12 B	0.25 kg	1 pc

### Spacer Type A/B/C



- Type A use to increase width by nX13mm (where n=no. of spacer use)
- Type B for MM3, ML2, MX2, MO & MT
- Type C for MS2

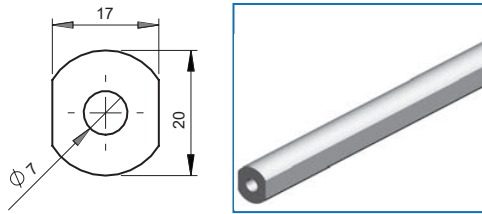
Item Code	Weight	Supply
MG BS 13 A/B/C	0.04 kg	1 pc

Please consult MODU representative for further information and assistance.

Units: Dimension (mm)

## Guide Rail Accessories MG

### Distance Tube

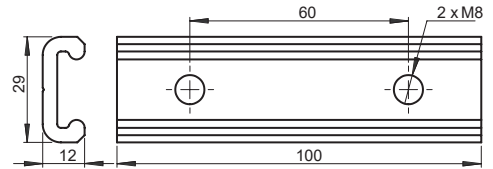


- Standard Length, L = 70mm or 100mm
- Non standard length to be specified

Item Code	Weight	Supply
MG DT 3x20	5.0 kg	3m
MG DT 70x20	0.5 kg	10 pcs/pkt
MG DT 100x20	0.5 kg	10 pcs/pkt
MG DT Lx20		10 pcs/pkt

Single side tap  
M8x35

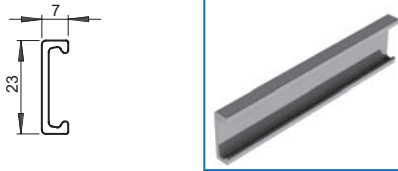
### Connecting Sleeve



- For MG RR 3x20
- Set screws included

Item Code	Weight	Supply
MG RC 100	0.5 kg	10 pcs/pkt

### PE Guide Rail Cover



- Used with rectangular guide rail (MG RR 3x20)

Item Code	Weight	Supply
MG RC 25x23	1.4 kg	25 m

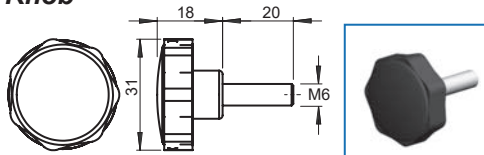
### PE Guide Rail Cover



- Used with rectangular guide rail (MG RR 3x20)

Item Code	Weight	Supply
MG RC 25x33	1.5 kg	25 m

### Knob

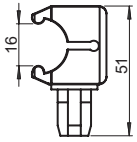


Item Code	Weight	Supply
MG BK 20	0.01 kg	1 pc



## Guide Rail Supports MG

### Guide Rail Support



Item Code	Weight	Supply
MG BR 20F	0.25 kg	10 pcs/pkt

### Guide Rail Support with Tube

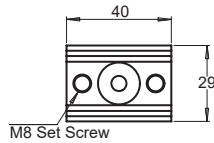
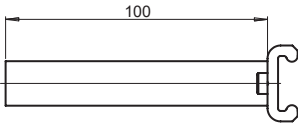


- MG BR 20F bracket preassembled with guide rail tube, Ø18mm
- Standard length, L = 100, 150, 200mm or to be specified



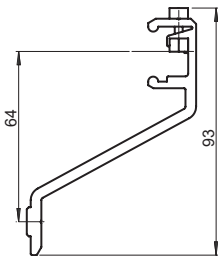
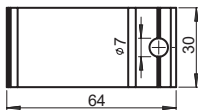
Item Code	Weight	Supply
MG BR 20Fx100	0.65 kg	10 pcs/pkt
MG BR 20Fx150	0.75 kg	10 pcs/pkt
MG BR 20Fx200	0.95 kg	10 pcs/pkt
MG BR 20FxL		10 pcs/pkt

### Guide Rail Support



Item Code	Weight	Supply
MG BR 40H	0.1 kg	1 pc

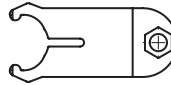
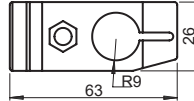
### Guide Rail Support



- fixed height and width

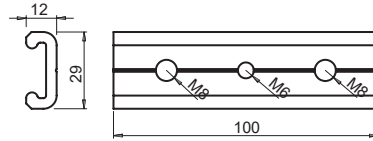
Item Code	Weight	Supply
MG BR 36x20	0.5 kg	10 pcs/pkt

### Guide Rail Support



Item Code	Weight	Supply
MG BR 18x18	0.4 kg	10 pcs/pkt

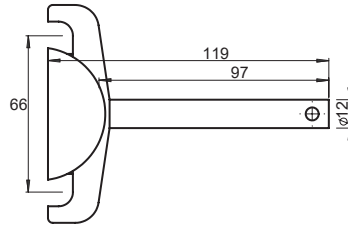
### Guide Rail Support



- Guide rail support mounting to MBBL 3x40
- Set screws included

Item Code	Weight	Supply
MG BR 100	0.5 kg	10 pcs/pkt

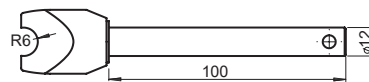
### Guide Rail Support



- Double clamp for 12mm diameter shaft.

Item Code	Weight	Supply
MG BR 2x68	0.2 kg	1 pc

### Guide Rail Support



- Single clamp for 12mm diameter shaft.

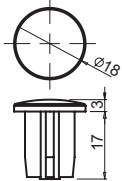
Item Code	Weight	Supply
MG BR 12	0.1 kg	1 pc

Please consult MODU representative for further information and assistance.

Units: Dimension (mm)

## End Caps MG

### End Cap, Ø18mm

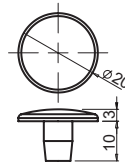


- For MG RR 3x18



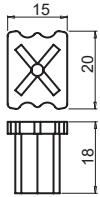
Item Code	Weight	Supply
MG EC 18	0.04 kg	50 pcs/pkt

### End Cap, Ø20mm



Item Code	Weight	Supply
MG EC 20	0.06 kg	50 pcs/pkt

### End Cap, 20mm



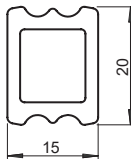
- For MG RR 3x20



Item Code	Weight	Supply
MG EC 20S	0.08 kg	50 pcs/pkt

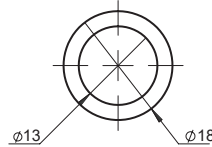
## Guide Rail MG

### Rectangular Guide Rail



Item Code	Weight	Supply
MG RR 3x20 Aluminium Guide Rail	1.2 kg	3 m
MG RR 3x20P PE Guide Rail	1.0 kg	3 m

### Guide Rail Tube



- Standard length L = 100, 150 or 200mm  
- Non standard length to be specified.

Item Code	Weight	Supply
MG RR 3x18	1.2 kg	3 m
MG RR 100x18	0.4 kg	10 pcs/pkt
MG RR 150x18	0.5 kg	10 pcs/pkt
MG RR 200x18	0.7 kg	10 pcs/pkt
MG RR Lx18		10 pcs/pkt

### Stainless Steel Guide Rail



Item Code	Weight	Supply
MG RR 12	2.7 kg	3 m

Please consult MODU representative for further information and assistance.

Units: Dimension (mm)